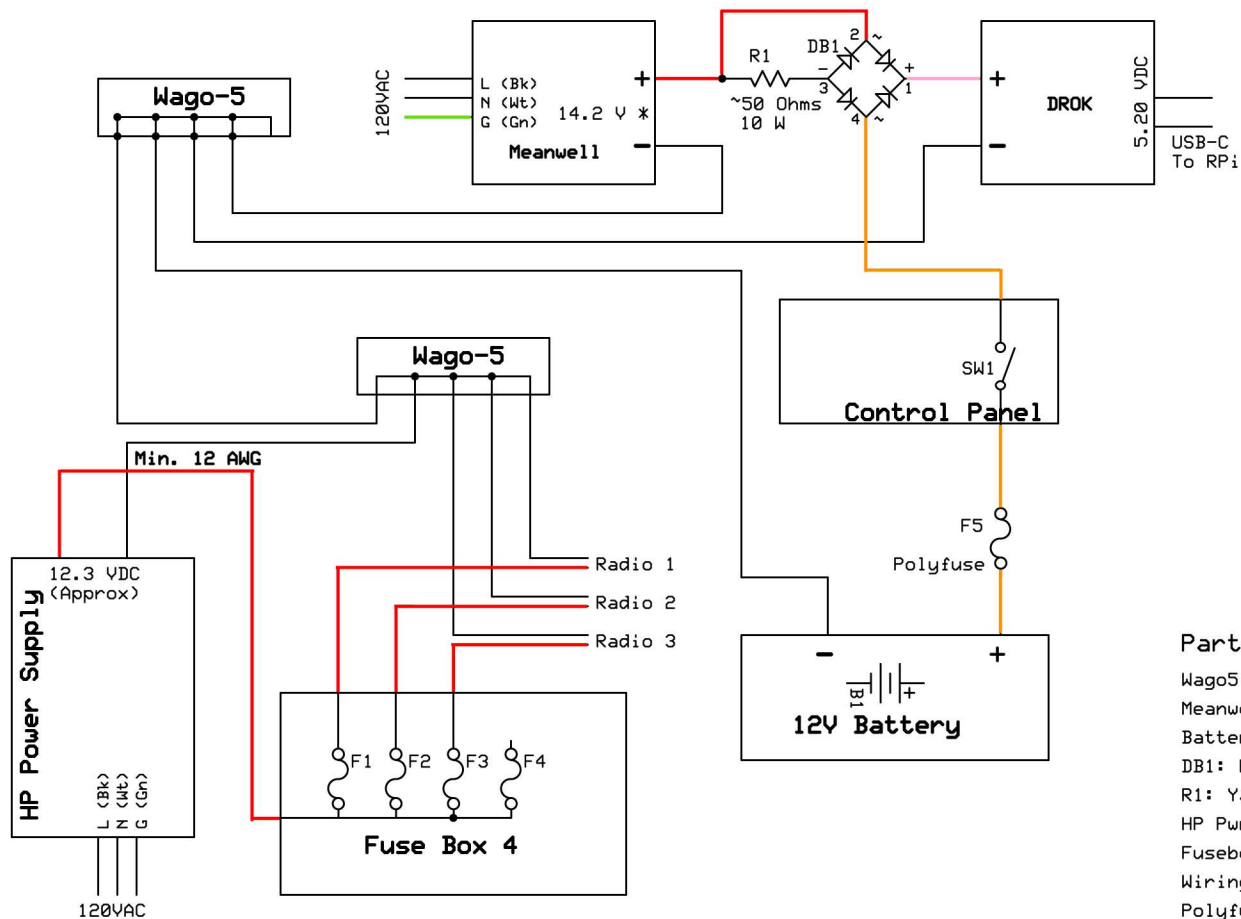


\*Adjust output for 13.5 to 13.8 V  
at disconnected battery terminals



Size fuses for 150% of expected radio current draw

### Parts List

Wago5: Wago 221-415 5-pos lever nut (x2)  
 Meanwell: RS-15-15 Power Supply  
 Battery: PS-1202 12V 2.5Ah  
 DB1: Rectron BR62 (5A 30V Full-wave Bridge)  
 R1: Yageo FMP200JR-52-47R (~50 Ohm 2W resistor)  
 HP Pwr Supp: eBay, 750W or more, 12V  
 Fusebox: Amazon B07LGVXCMN 4-way fuse box  
 Wiring: 18AWG or larger unless specified  
 Polyfuse: Littlefuse 30R185UU (30V 1.85A hold current)  
 Control Panel: Contact KA2DEW  
 DROK: DC-DC Buck Converter, Amazon B07N3QT628

TARPN

Node Box Wiring - 3 Port

de N2IRZ

Rev 1.0

12/18/2024

Page 1 of 1